



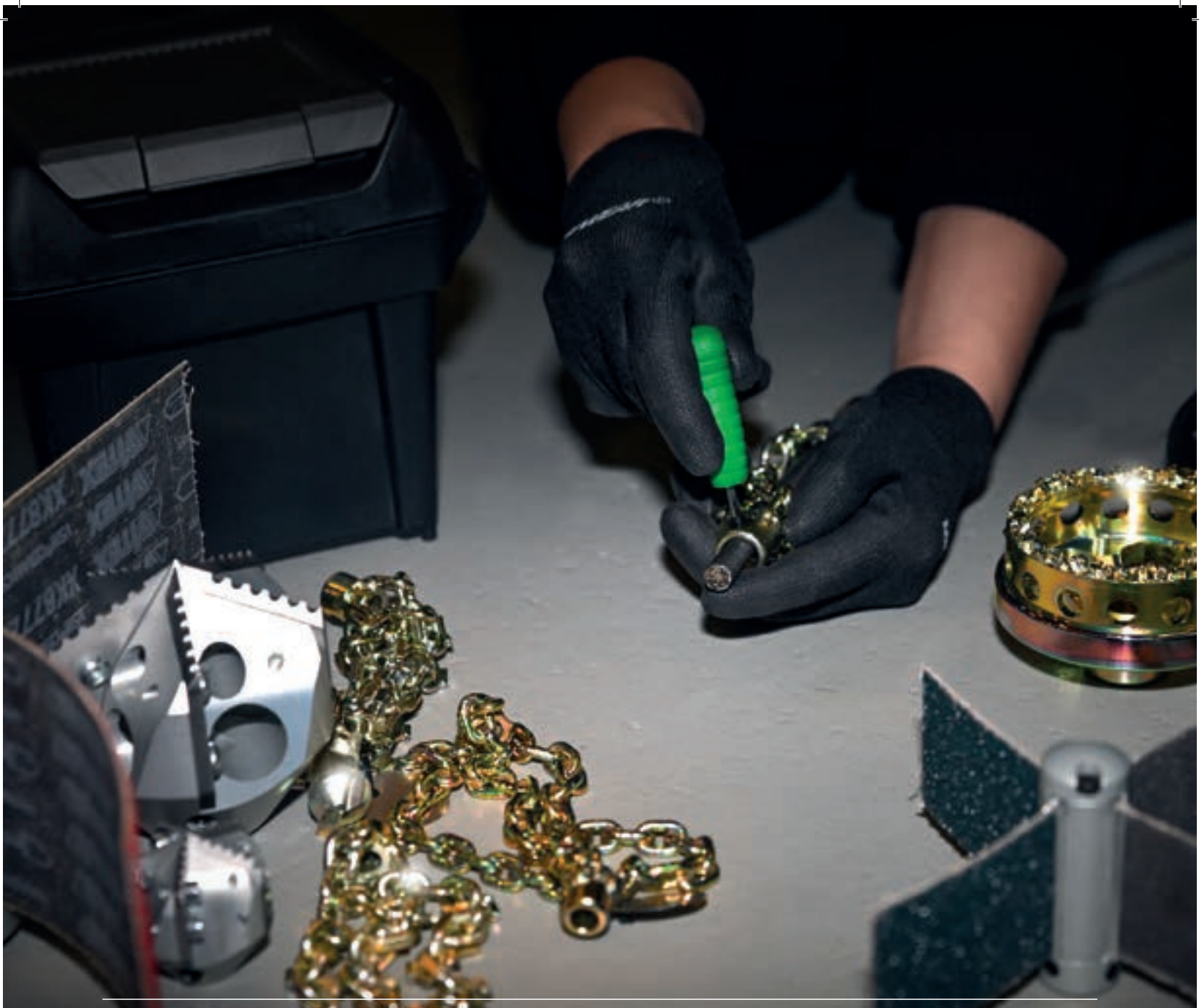
RENSSI® TOOLS

PRODUCT CATALOGUE 2023



STRONG DRAIN CLEANING TOOLS

SINCE 2008



**CHECK OUT RENSSI®
SAFETY MANUALS BEFORE
USING THE TOOLS**

www.renssi.fi/downloads

US PATENT

Renssi® Chain Knockers
have received

US Patent No. 9,649,671 B2

MADE IN FINLAND

Renssi® Tools are manufactured
in Finland and
from quality materials.

**RENSSI TOOLS -
GLOBAL TOOL BRAND**

Renssi® Tools have been sold in over 25
countries worldwide.



PRODUCT CATEGORIES

CHAIN KNOCKER COLLECTION

- 6 CHAIN KNOCKERS
- 8 DRILL HEAD TOOLS
- 10 CHAIN KNOCKERS WITH STARBITS
- 12 CHAIN KNOCKERS WITH DRILL HEAD AND STARBITS
- 14 TOOLS WITHOUT CARBIDE
- 16 T-SLIDE CHAIN KNOCKERS
- 17 T-SLIDE CHAIN KNOCKERS WITH STARBITS
- 18 THREADED CHAIN KNOCKERS
- 19 CHAIN KNOCKERS WITH STARBITS AND 5mm CHAIN
- 19 CHAIN KNOCKERS WITH STARBITS AND DR40 HEAD
- 20 CIRCULAR CHAIN KNOCKERS
- 22 CIRCULAR CHAIN KNOCKERS WITH T-SLIDE CONNECTOR
- 23 CIRCULAR CHAIN KNOCKERS WITH THREAD
- 23 CIRCULAR CHAIN KNOCKERS, KEYWAY SHAFT
- 24 CIRCULAR CHAIN KNOCKERS WITH CARBIDE COATING

SILICON BLADDERS

- 28 SILICON BLADDERS
- 30 CONNECTION LINERS
- 32 PACKERS AND ACCESSORIES

MACHINES AND EQUIPMENT

- 36 RCM CLEANING UNITS
- 40 INVERSION DRUMS
- 44 DRUM HEADS
- 46 ROLLERS
- 47 VACUUM PUMP
- 48 STEAM GENERATORS

CABLES

- 52 ERC CABLES
- 53 TC CABLES
- 54 TS CABLES
- 58 COVERS AND ROTATING CABLES
- 59 ADJUSTABLE CLUTCH

ADAPTERS AND SLEEVES

- 62 CABLE CONNECTORS
- 64 CONNECTORS

BRUSHES

- 68 NYLON BRUSHES
- 68 NYLON/STEEL BRUSHES
- 69 SILICON CARBIDE BRUSHES
- 69 SECURING RINGS, BRUSH ADAPTERS

CUTTERS

- 72 CUTTERS AND SPARE PARTS
- 72 Hole saws with T-slide connector
- 72 Collapsed line drill
- 74 Reinstatement cutters
- 75 Overshot pipe cutter
- 75 Drill heads

SANDPAPER HOLDERS

- 77 SANDPAPER HOLDERS WITH WEDGE
- 78 SANDPAPERS WITH WEDGE
- 79 SANDPAPER HOLDER WITHOUT WEDGE

CHAIN KNOCKER



Depending on the size of the tool, it has one to three chains with solid carbide inserts brazed on the chainlinks. Because of the inserts, the pipe is cleaned out of rust and dirt very effectively.

There are two different types of connections to the rotating wire. The wire can be put through the tool and tightened using allen screws or it can be connected using T-slide connectors.

US PATENT

Renssi® Chain Knockers are specific tools. They have received US Patent No. 9,649,671 B2

CHAIN KNOCKERS

RS-(16)-1050-(1/2)-4-DR

tool's identification

(diameter Ø)

cable size Ø

pipe size Ø

feature of chain

thickness of chain

information of tool

TOOL'S IDENTIFICATION

Every tool has it's own code which is used when ordering.

Renssi® Chain knockers are found under codes RS and RS-T.

Chain knockers with starbits are found under code RS-WS and RS-T-WS.

Chain Knockers with starbits and stainless steel chain are found under codes WS and WS-I.

Codes for circular chain knockers are WC, WC-T, WC-I, WCNT and WCNT-T.

(DIAMETER Ø)

Defines only the adapter diameter for RS-T, RS-T-WS, WC-T and WCNT-T series.

CABLE SIZE Ø

0 = 6mm 1 = 8mm 2 = 10mm 3 = 12mm

PIPE SIZE Ø

Tools are designed to match the pipe size. Right size chain knocker cleans the pipe gently without harming the surfaces of the pipe.

FEATURES OF CHAINS

Chain knocker has usually three chains but we have also few models with two chains and even with one chain. They are marked up with /2 or /1-codes.

THICKNESS OF CHAIN

4 = 4mm 5 = 5mm

INFORMATION OF TOOL

DR stands for drill head feature. You can open up for example a lateral connection with it.

DR40 stands for 40mm drill head. NC stands for chain tools without carbide bits.



CHAIN KNOCKERS

Chain Knocker is a mechanically rotated tool for sewer cleaning and pipeline renovations.
NOT TO BE USED WITH HYDRAULIC ROTATOR.



RS 0000 SERIES
for 6mm cable



RS 1000 SERIES
for 8mm cable



RS 2000 SERIES
for 10mm cable



RS 3000 SERIES
for 12mm cable

Product code	Pipe Ø
RS-0035/1	35 mm
RS-0035/2	35 mm
RS-0050/1	50 mm
RS-0050/2	50 mm
RS-0050	50 mm
RS-0075/2	75 mm
RS-0075	75 mm
RS-0100	100 mm

Product code	Pipe Ø
RS-1035/1	35 mm
RS-1035/2	35 mm
RS-1050/1	50 mm
RS-1050/2	50 mm
RS-1050	50 mm
RS-1075/1	75 mm
RS-1075/2	75 mm
RS-1075	75 mm
RS-1100	100 mm
RS-1125	125 mm
RS-1150	150 mm
RS-1200	200 mm

Product code	Pipe Ø
RS-2050/2	50 mm
RS-2050	50 mm
RS-2075/1	75 mm
RS-2075/2	75 mm
RS-2075	75 mm
RS-2100/1	100 mm
RS-2100/2	100 mm
RS-2100	100 mm
RS-2125/2	125 mm
RS-2125	125 mm
RS-2150	150 mm
RS-2200	200 mm

Product code	Pipe Ø
RS-3050/2	50 mm
RS-3050	50 mm
RS-3075	75 mm
RS-3100	100 mm
RS-3125	125 mm
RS-3150	150 mm
RS-3200	200 mm
RS-3250	250 mm
RS-3300	300 mm

DRILL HEAD TOOLS



RS-DR 0000 SERIES
for 6mm cable



RS-DR 1000 SERIES
for 8mm cable



RS-DR 2000 SERIES
for 10mm cable



RS-DR 3000 SERIES
for 12mm cable

Product code	Pipe Ø
RS-0035/1-DR	35 mm
RS-0035/2-DR	35 mm

Product code	Pipe Ø
RS-1050/2-DR	50 mm
RS-1050-DR	50 mm
RS-1075/2-DR	75 mm
RS-1075-DR	75 mm
RS-1100-DR	100 mm
RS-1125-DR	125 mm
RS-1150-DR	150 mm
RS-1200-DR	200 mm

Product code	Pipe Ø
RS-2050/2-DR	50 mm
RS-2050-DR	50 mm
RS-2075/2-DR	75 mm
RS-2075-DR	75 mm
RS-2100-DR	100 mm
RS-2125-DR	125 mm
RS-2150-DR	150 mm
RS-2200-DR	200 mm

Product code	Pipe Ø
RS-3050/2-DR	50 mm
RS-3050-DR	50 mm
RS-3075/2-DR	75 mm
RS-3075-DR	75 mm
RS-3100-DR	100 mm
RS-3125-DR	125 mm
RS-3150-DR	150 mm
RS-3200-DR	200 mm





CHAIN KNOCKERS WITH STARBITS



RS-WS 0000 SERIES
for 6mm cable



RS-WS 1000 SERIES
for 8mm cable



RS-WS 2000 SERIES
for 10mm cable



RS-WS 3000 SERIES
for 12mm cable

Product code	Pipe Ø
RS-0035/1-WS	35 mm
RS-0050/1-WS	50 mm
RS-0050-WS	50 mm
RS-0075-WS	75 mm

Product code	Pipe Ø
RS-1050/1-WS	50 mm
RS-1050/2-WS	50 mm
RS-1050-WS	50 mm
RS-1075-WS	75 mm
RS-1100-WS	100 mm
RS-1150-WS	150 mm

Product code	Pipe Ø
RS-2050/2-WS	50 mm
RS-2050-WS	50 mm
RS-2075-WS	75 mm
RS-2100-WS	100 mm
RS-2150-WS	150 mm
RS-2200-WS	200 mm

Product code	Pipe Ø
RS-3050-WS	50 mm
RS-3075-WS	75 mm
RS-3100-WS	100 mm
RS-3150-WS	150 mm
RS-3200-WS	200 mm

CHAIN KNOCKERS WITH DRILL HEAD AND STARBITS



RS-WS-DR 1000 SERIES
for 8mm cable



RS-WS-DR 2000 SERIES
for 10mm cable



RS-WS-DR 3000 SERIES
for 12mm cable

Product code	Pipe Ø
RS-1050-WS-DR	50 mm
RS-1075-WS-DR	75 mm
RS-1100-WS-DR	100 mm
RS-1150-WS-DR	150 mm

Product code	Pipe Ø
RS-2050-WS-DR	50 mm
RS-2075-WS-DR	75 mm
RS-2100-WS-DR	100 mm
RS-2150-WS-DR	150 mm

Product code	Pipe Ø
RS-3075-WS-DR	75 mm
RS-3100-WS-DR	100 mm
RS-3150-WS-DR	150 mm
RS-3200-WS-DR	200 mm





CHAIN TOOLS WITHOUT CARBIDE



RS-NC 0000 SERIES
for 6mm cable



RS-NC 1000 SERIES
for 8mm cable



RS-NC 2000 SERIES
for 10mm cable



RS-NC 3000 SERIES
for 12mm cable

Product code	Pipe Ø
RS-0035/1-NC	35 mm
RS-0035/2-NC	35 mm
RS-0050/1-NC	50 mm
RS-0050/2-NC	50 mm
RS-0050-NC	50 mm
RS-0075/2-NC	75 mm
RS-0075-NC	75 mm
RS-0100-NC	100 mm
RS-0125-NC	125 mm

Product code	Pipe Ø
RS-1035/1-NC	35 mm
RS-1035/2-NC	35 mm
RS-1050/2-NC	50 mm
RS-1050-NC	50 mm
RS-1075/2-NC	75 mm
RS-1075-NC	75 mm
RS-1100-NC	100 mm
RS-1125-NC	125 mm
RS-1150-NC	150 mm
RS-1200-NC	200 mm

Product code	Pipe Ø
RS-2050/2-NC	50 mm
RS-2050-NC	50 mm
RS-2075/2-NC	75 mm
RS-2075-NC	75 mm
RS-2100-NC	100 mm
RS-2125-NC	125 mm
RS-2150-NC	150 mm
RS-2200-NC	200 mm

Product code	Pipe Ø
RS-3050/2-NC	50 mm
RS-3050-NC	50 mm
RS-3075/2-NC	75 mm
RS-3075-NC	75 mm
RS-3100-NC	100 mm
RS-3125-NC	125 mm
RS-3150-NC	150 mm
RS-3200-NC	200 mm

T-SLIDE CHAIN KNOCKERS



RS-T 16 SERIES

T-slide connectors

Product code	Pipe Ø
RS-T-16-50	50 mm
RS-T-16-75	75 mm
RS-T-16-100	100 mm
RS-T-16-125	125 mm
RS-T-16-150	150 mm
RS-T-16-200	200 mm



RS-T 20 SERIES

T-slide connectors

Product code	Pipe Ø
RS-T-20-50	50 mm
RS-T-20-75	75 mm
RS-T-20-100	100 mm
RS-T-20-125	125 mm
RS-T-20-150	150 mm
RS-T-20-200	200 mm



T-SLIDE KEY

to open T-slide connection

Product code	Product
RA-014	T-Slide opener key 4mm

T-SLIDE CHAIN KNOCKERS WITH STARBITS



RS-T-WS SERIES

T-slide connectors



RS-T-WS-DR SERIES

T-slide connectors, drill head



T-SLIDE KEY

to open T-slide connection

Product code	Pipe Ø
RS-T-16-50-WS	50 mm
RS-T-16-75/2-WS	75 mm
RS-T-16-75-WS	75 mm
RS-T-16-100-WS	100 mm
RS-T-16-125-WS	125 mm
RS-T-16-150-WS	150 mm
RS-T-16-200-WS	200 mm

Product code	Pipe Ø
RS-T-16-75-WS-DR	75 mm
RS-T-16-100-WS-DR	100 mm
RS-T-16-150-WS-DR	150 mm

Product code	Product
RA-014	T-Slide opener key 4mm



THREADED CHAIN KNOCKERS



INCH SERIES with 4mm chain

WS-I SERIES with 1/2" UNC thread

Product code	Pipe \varnothing (mm)
WS-I-75-4	75 mm
WS-I-100-4	100 mm
WS-I-150-4	150 mm
WS-I-200-4	200 mm
WS-I-250-4	250 mm

CHAIN KNOCKERS WITH STARBITS AND 5mm CHAIN



TOOLS FOR CABLES with 5mm chain

WS 2000 SERIES for 10mm cable

Product code	Pipe Ø
WS-2075-5	75 mm
WS-2100-5	100 mm
WS-2150-5	150 mm
WS-2200-5	200 mm

WS 3000 SERIES for 12mm cable

Product code	Pipe Ø
WS-3075-5	75 mm
WS-3100-5	100 mm
WS-3150-5	150 mm
WS-3200-5	200 mm
WS-3250-5	250 mm

CHAIN KNOCKERS WITH STARBITS AND DR40 HEAD



TOOLS FOR CABLES WITH DR40-HEAD

WS-DR40 2000 SERIES for 10mm cable

Product code	Pipe Ø
WS-2100-3-DR40	100 mm
WS-2150-3-DR40	150 mm
WS-2200-3-DR40	200 mm

WS-DR40 3000 SERIES for 12mm cable

Product code	Pipe Ø
WS-3100-3-DR40	100 mm
WS-3150-3-DR40	150 mm
WS-3200-3-DR40	200 mm



CIRCULAR CHAIN KNOCKERS

WC Circular Chain Knockers come with Securing ring.

TOOLS FOR CABLES with 4mm chain



WC 1000 SERIES
for 8mm cable



WC 2000 SERIES
for 10mm cable



WC 3000 SERIES
for 12mm cable

Product code	Pipe Ø (mm)
WC-1075-4	75 mm
WC-1100-4	100 mm

Product code	Pipe Ø (mm)
WC-2075-4	75 mm
WC-2100-4	100 mm
WC-2150-4	150 mm
WC-2200-4	200 mm
WC-2250-4	250 mm
WC-2300-4	300 mm

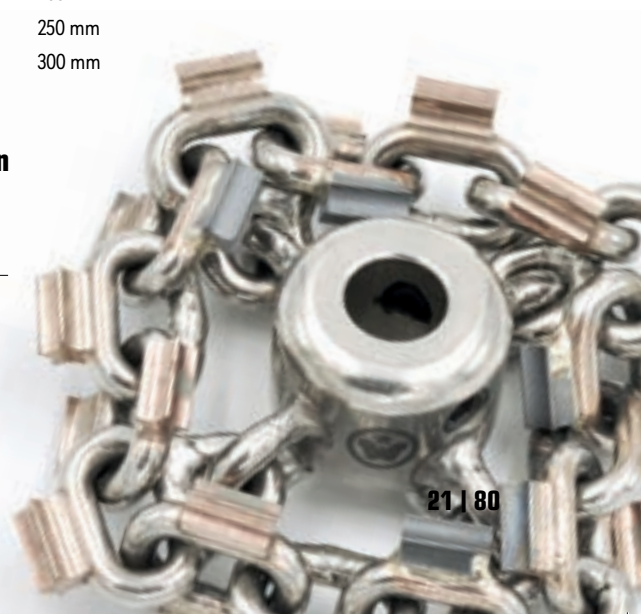
Product code	Pipe Ø (mm)
WC-3075-4	75 mm
WC-3100-4	100 mm
WC-3150-4	150 mm
WC-3200-4	200 mm
WC-3250-4	250 mm
WC-3300-4	300 mm

TOOLS FOR CABLES with 5mm chain

WC 3000-5 SERIES

for 12mm cable

Product code	Pipe Ø
WC-3100-5	100 mm
WC-3150-5	150 mm
WC-3200-5	200 mm
WC-3250-5	250 mm



CIRCULAR CHAIN KNOCKERS WITH T-SLIDE CONNECTOR



T-SLIDE SERIES with 4mm chain

WC-T 16 SERIES

T-slide connection

Product code	Pipe β
WC-T-16-75-4	75 mm
WC-T-16-100-4	100 mm
WC-T-16-110-4	110 mm
WC-T-16-125-4	125 mm
WC-T-16-150-4	150 mm

WC-T 20 SERIES

T-slide connection

Product code	Pipe β
WC-T-20-75-4	75 mm
WC-T-20-100-4	100 mm
WC-T-20-125-4	125 mm
WC-T-20-150-4	150 mm

WC-T 22 SERIES

T-slide connection

Product code	Pipe β
WC-T-22-100-4	100 mm
WC-T-22-150-4	150 mm
WC-T-22-200-4	200 mm
WC-T-22-250-4	250 mm

CIRCULAR CHAIN KNOCKERS WITH THREAD

WC-I SERIES

with 1/2" UNC thread

Product code	Pipe Ø (mm)
WC-I-75-4	75 mm
WC-I-100-4	100 mm
WC-I-125-4	125 mm
WC-I-150-4	150 mm
WC-I-200-4	200 mm
WC-I-250-4	250 mm



CIRCULAR CHAIN KNOCKERS, KEYWAY SHAFT

WC-W SERIES

for 16mm keyway shaft

Product code	Pipe Ø (mm)
WC-W-100-4	100 mm
WC-W-125-4	125 mm
WC-W-150-4	150 mm
WC-W-225-4	225 mm
WC-W-300-4	300 mm



CIRCULAR CHAIN KNOCKERS WITH CARBIDE COATING



WCNT 1000 SERIES

for 8mm cable

Product code	Pipe Ø
WCNT-1075-4	75 mm
WCNT-1100-4	100 mm

WCNT 2000 SERIES

for 10mm cable

Product code	Pipe Ø
WCNT-2075-4	75 mm
WCNT-2100-4	100 mm
WCNT-2125-4	125 mm
WCNT-2150-4	150 mm

WCNT 3000 SERIES

for 12mm cable

Product code	Pipe Ø
WCNT-3075-4	75 mm
WCNT-3100-4	100 mm
WCNT-3125-4	125 mm
WCNT-3150-4	150 mm



T-SLIDE SERIES with carbide coating and 4mm chain

WCNT-T 16 SERIES

T-slide connectors

Product code	Pipe Ø
WCNT-T-16-75-4	75 mm
WCNT-T-16-100-4	100 mm
WCNT-T-16-125-4	125 mm
WCNT-T-16-150-4	150 mm



SILICON B



The silicone bladders are available for both T & Y lateral connections. Also special versions for double lateral connections are available upon request. The bladders are very flexible to ensure easy assembly and perfect fit for the lateral connection. Silicone bladders are manufactured from high quality reinforced silicone rubber. Special lengths available upon request. Our standard bladder laterals have unique round end. Most of the other bladders have a glued flat end.

BLADDERS

SB 50 / 50-45



tool's identification	main line diameter (mm)	diameter of the lateral (mm)	angle of the lateral in relation to main line
-----------------------	-------------------------	------------------------------	---

TOOL'S IDENTIFICATION

Every tool has its own code which is used when ordering. Bladders are found under code SB and SBAU. T-liners are found under code CL and CLAU.

MAIN LINE DIAMETER

Defines the diameter of the main line. 50 = Ø 50 mm pipe

DIAMETER OF LATERAL

Defines the diameter of the lateral. 50 = Ø 50 mm lateral

ANGLE OF LATERAL IN RELATION TO MAIN LINE

Defines the angle of the lateral in relation to the main line. We have bladders and t-liners with 45° or 90° angle in stock.

TUBES

Silicone bladders SB main length is 1000mm and lateral length is 400mm
Silicone bladders long SBAU main length is 1350mm and lateral length is 500mm
Connection liners CL main length is 400mm and lateral length is 280mm
Connection liners long CLAU main length is 950mm and lateral length is 400mm

SILICON BLADDERS

SILICON BLADDERS WITH 90° ANGLE

Product code	Product size
SB70/50-90	70/50-90
SB70/70-90	70/70-90
SB100/50-90	100/50-90
SB100/70-90	100/70-90
SB100/100-90	100/100-90
SB125/50-90	125/50-90
SB125/70-90	125/70-90
SB125/100-90	125/100-90
SB125/125-90	125/125-90
SB150/50-90	150/50-90
SB150/70-90	150/70-90
SB150/100-90	150/100-90
SB150/125-90	150/125-90
SB150/150-90	150/150-90
SB200/50-90	200/50-90
SB200/70-90	200/70-90
SB200/100-90	200/100-90
SB200/125-90	200/125-90
SB200/150-90	200/150-90
SB200/200-90	200/200-90
SB225/100-90	225/100-90
SB250/100-90	250/100-90
SB250/150-90	250/150-90

SILICON BLADDERS WITH 45° ANGLE

Product code	Product size
SB70/50-45	70/50-45
SB70/70-45	70/70-45
SB100/50-45	100/50-45
SB100/70-45	100/70-45
SB100/100-45	100/100-45
SB125/50-45	125/50-45
SB125/70-45	125/70-45
SB125/100-45	125/100-45
SB125/125-45	125/125-45
SB150/50-45	150/50-45
SB150/70-45	150/70-45
SB150/100-45	150/100-45
SB150/125-45	150/125-45
SB150/150-45	150/150-45
SB200/50-45	200/50-45
SB200/70-45	200/70-45
SB200/100-45	200/100-45
SB200/125-45	200/125-45
SB200/150-45	200/150-45
SB200/200-45	200/200-45
SB225/100-45	225/100-45
SB225/125-45	225/125-45
SB250/100-45	250/100-45
SB250/150-45	250/150-45

SILICON BLADDERS WITH 90° ANGLE, LONG

Product code	Product size	Main length/ Lateral length
SBAU100/100-90	100/100-90	1350 mm / 500 mm
SBAU150/100-90	150/100-90	1350 mm / 500 mm
SBAU150/150-90	150/150-90	1350 mm / 500 mm
SBAU225/100-90	225/100-90	1350 mm / 500 mm
SBAU225/150-90	225/150-90	1350 mm / 500 mm
SBAU375/100-90	375/100-90	1350 mm / 500 mm

SILICON BLADDERS WITH 45° ANGLE, LONG

Product code	Product size	Main length/ Lateral length
SBAU100/100-45	100/100-45	1350 mm / 500 mm
SBAU150/100-45	150/100-45	1350 mm / 500 mm
SBAU150/150-45	150/150-45	1350 mm / 500 mm
SBAU225/100-45	225/100-45	1350 mm / 500 mm
SBAU225/150-45	225/150-45	1350 mm / 500 mm

CURVED SILICON BLADDERS

Product code	Product size
SBB100/70-45	100/70-45
SBB100/70-90	100/70-90
SBB100/100-45	100/100-45
SBB100/100-90	100/100-90

T-BLADDERS

Product code	Product size
SB100/100-45-T	100/100-45
SB100/100-90-T	100/100-90

TUBES

Product code	Product size
SB50-M	50 mm silicone tube, per meter
SB70-M	70 mm silicone tube, per meter
SB100-M	100 mm silicone tube, per meter
SB125-M	125 mm silicone tube, per meter
SB150-M	150 mm silicone tube, per meter





CONNECTION LINERS

CONNECTION LINERS WITH 90° ANGLE

Product code	Product size
CL70/50-90	70/50-90
CL70/70-90	70/70-90
CL100/50-90	100/50-90
CL100/70-90	100/70-90
CL100/100-90	100/100-90
CL125/70-90	125/70-90
CL125/100-90	125/100-90
CL125/125-90	125/125-90
CL150/70-90	150/70-90
CL150/100-90	150/100-90
CL150/125-90	150/125-90
CL150/150-90	150/150-90
CL200/100-90	200/100-90
CL200/150-90	200/150-90

CONNECTION LINERS WITH 45° ANGLE

Product code	Product size
CL60/60-45	60/60-45
CL70/50-45	70/50-45
CL70/70-45	70/70-45
CL100/50-45	100/50-45
CL100/70-45	100/70-45
CL100/100-45	100/100-45
CL125/70-45	125/70-45
CL125/100-45	125/100-45
CL125/125-45	125/125-45
CL150/70-45	150/70-45
CL150/100-45	150/100-45
CL150/125-45	150/125-45
CL150/150-45	150/150-45
CL200/100-45	200/100-45
CL200/150-45	200/150-45
CL225/150-45	225/150-45
CL225/200-45	225/200-45

CONNECTION LINERS WITH 90° ANGLE, LONG

Product code	Product size	Main length/ Lateral length
CLAU100/100-90	100/100-90	900 mm / 400 mm
CLAU150/100-90	150/100-90	900 mm / 400 mm
CLAU150/150-90	150/150-90	900 mm / 400 mm
CLAU225/100-90	225/100-90	900 mm / 400 mm
CLAU225/150-90	225/150-90	900 mm / 400 mm
CLAU300/100-90	300/100-90	900 mm / 400 mm
CLAU375/100-90	375/100-90	900 mm / 400 mm

CONNECTION LINERS WITH 45° ANGLE, LONG

Product code	Product size	Main length/ Lateral length
CLAU100/100-45	100/100-45	900 mm / 400 mm
CLAU150/100-45	150/100-45	900 mm / 400 mm
CLAU150/150-45	150/150-45	900 mm / 400 mm
CLAU225/100-45	225/100-45	900 mm / 400 mm
CLAU225/150-45	225/150-45	900 mm / 400 mm
CLAU300/100-45	300/100-45	900 mm / 400 mm

CURVED CONNECTION LINERS

Product code	Product size
CLB100/70-45	100/70-45
CLB100/70-90	100/70-90
CLB100/100-45	100/100-45
CLB100/100-90	100/100-90

PACKERS AND ACCESSORIES

PACKER ASSEMBLIES WITH A SINGLE ROD

Product code	Information
PP-D30-720-08	assembly, Ø 30mm, length 720mm, 8mm
PP-D30-720-10	assembly, Ø 30mm, length 720mm, 10mm
PP-D30-1000-08	assembly, Ø 30mm, length 1000mm, 8mm
PP-D30-1350-10	assembly, Ø 30mm, length 1350mm, 10mm
PP-D30-S-720-08	assembly, Ø 30mm, length 720mm, 8mm
PP-D30-S-720-10	assembly, Ø 30mm, length 720mm, 10mm
PP-D40-720-08	assembly, Ø 40mm, length 720mm, 8mm
PP-D40-720-10	assembly, Ø 40mm, length 720mm, 10mm
PP-D40-1350-10	assembly, Ø 40mm, length 1350mm, 10mm
PP-D60-720-10	assembly, Ø 60mm, length 720mm, 10mm
PP-D60-1350-10	assembly, Ø 60mm, length 1350mm, 10mm
PP-D90-720-10	assembly, Ø 90mm, length 720mm, 10mm

PACKER HEADS FOR A SINGLE ROD

Product code	Information
PP-D30-AL-A	Ø 30mm, shackle M4, air pressure plug G $\frac{1}{4}$
PP-D30-S-AL-A	Ø 30mm, shackle M4, air pressure plug G $\frac{1}{4}$, shorter version
PP-D40-AL-A	Ø 40mm, shackle M5, air pressure plug G $\frac{1}{4}$
PP-D60-AL-A	Ø 60mm, shackle M6, air pressure plug G $\frac{1}{4}$
PP-D90-AL-A	Ø 90mm, shackle M6, air pressure plug G $\frac{1}{4}$
PP-D30-AL-B	Ø 30mm, blind plug G $\frac{1}{4}$
PP-D30-S-AL-B	Ø 30mm, blind plug G $\frac{1}{4}$, shorter version
PP-D40-AL-B	Ø 40mm, blind plug G $\frac{1}{4}$
PP-D60-AL-B	Ø 60mm, blind plug G $\frac{1}{4}$
PP-D90-AL-B	Ø 90mm, blind plug G $\frac{1}{4}$

PACKER ASSEMBLIES WITH TWO RODS

Product code	Information
PP2-D40-1500	assembly, Ø 40mm, length 1500mm
PP2-D60-1500	assembly, Ø 60mm, length 1500mm

PACKER HEADS FOR TWO RODS

Product code	Information
PP2-D40-A	Ø 40mm, shackle M5, air pressure plug G $\frac{1}{4}$
PP2-D40-B	Ø 40mm, blind plug G $\frac{1}{4}$
PP2-D60-A	Ø 60mm, shackle M5, air pressure plug G $\frac{1}{4}$
PP2-D60-B	Ø 60mm, blind plug G $\frac{1}{4}$



PP-D40-AL-A and PP-D40-AL-B

PP2-D40-A and PP2-D40-B







PACKER MIDDLE BARS

Product code	Information
PP-VT-500-8	length 500mm, Ø 8mm
PP-VT-600-8	length 600mm, Ø 8mm
PP-VT-720-8	length 720mm, Ø 8mm
PP-VT-1350-8	length 1350mm, Ø 8mm
PP-VT-340-10	length 340mm, Ø 10mm
PP-VT-500-10	length 500mm, Ø 10mm
PP-VT-720-10	length 720mm, Ø 10mm
PP-VT-1350-10	length 1350mm, Ø 10mm
PP2-VT-1500-8	length 1500mm, Ø 8mm

PUSH RODS

Product code	Information
RA-010	10mm pom axle, length 1,5m
RA-016	16mm pom axle, length 1,5m

ADAPTERS AND ACCESSORIES

Product code	Information
APC-1/4	air connector
APP-1/4	air pressure plug
RA-16-002	packer key with 16mm male t-slide
RA-20-002	packer key with 20mm male t-slide

PRESSURE HOLDERS

Product code	Information
SS-90-40	for 50mm liner
SS-90-60	for 75mm liner
SS-90-90	for 100mm liner
SS-90-140	for 150mm liner

RCM MACHINE



Compact model of Renssi® Machine and the clutch - the RCM-10, is designed to use for cleaning and relining pipelines of an apartment. Bigger models can be used for cleaning larger complexes of many apartments. All products are made of quality materials and we are constantly developing each model to be more efficient and accurate for your convenience.

REPAIR SERVICE IS AVAILABLE!

Having a problem with your Gear? Renssi Staff will help you! Renssi® also offers a repair service to all its Equipment and other drain tools. If your Equipment breaks, please contact us and we will arrange maintenance for your gear.



VES

RCM CLEANING UNITS

RCM-10 is equipped with Renssi CLT-001 clutch and 10 meters of Ø 10mm cable. You can connect Renssi® chain knockers, brushes and cutters to this machine, depending on your current job.

CLEANING UNITS (230V)

Product code	Information
RCM-10	cleaning unit with 10m of Ø 10mm cable and drill
RCM-15	cleaning unit with 15m of Ø 8mm cable
RCM-25	cleaning unit with 25m of Ø 12mm cable
RCM-25-10	cleaning unit with 25m of Ø 10mm cable
RCM-36	cleaning unit with 36m of Ø 12mm cable
RCM-8-PLUS	cleaning unit with 25m of Ø 8mm cable
RCM-10-PLUS	cleaning unit with 25m of Ø 10mm cable

CLEANING UNITS (110V)

Product code	Information
RCM-10-110-UK	cleaning unit with 15m of Ø 12mm cable, UK, without drill
RCM-25-UK	cleaning unit with 25m of Ø 12mm cable, UK
RCM-25-10-UK	cleaning unit with 25m of Ø 10mm cable, UK
RCM-36-UK	cleaning unit with 36m of Ø 12mm cable, UK
RCM-10-X	cleaning unit with 10m of Ø 10mm cable, USA, without drill
RCM-15-X	cleaning unit with 15m of Ø 8mm cable, USA, without drill
RCM-25-US	cleaning unit with 25m of Ø 12mm cable, USA
RCM-25-10-US	cleaning unit with 25m of Ø 10mm cable, USA
RCM-36-US	cleaning unit with 36m of Ø 12mm cable, USA
RCM-8-X-PLUS	cleaning unit with 25m of Ø 8mm cable, without drill
RCM-10-X-PLUS	cleaning unit with 25m of Ø 10mm cable, without drill

MORE INFORMATION of cleaning units on the next page >>> 37 | 80 >>>

RCM-10

weight	26,5 kg
outer dimensions	W 650 mm, L 700 mm, H 270 mm
cable size Ø	10 mm
cable length	10 meters
max. rpm	3000 / min
output	1300 W
operating voltages	230 V / 110 V
material	aluminium
use of tool	with safety foot pedal
features	convertible drill option, telescopic handle, easy to move, light machine, rubber feet

RCM-15

weight	26,5 kg
outer dimensions	W 650 mm, L 700 mm, H 270 mm
cable size Ø	8 mm
cable length	15 meters
max. rpm	3000 / min
output	1300 W
operating voltages	230 V / 110 V
material	aluminium
use of tool	with safety foot pedal
features	convertible drill option, telescopic handle, easy to move, light machine, rubber feet



RCM-8-PLUS

weight	31,5 kg
outer dimensions	W 650 mm, L 700 mm, H 400 mm
cable size Ø	8 mm
cable length	25 meters
max. rpm	3000 / min
output	1300 W
operating voltages	230 V / 110 V
material	aluminium
use of tool	with safety foot pedal
features	convertible drill option, telescopic handle, easy to move, light machine, rubber feet

RCM-10-PLUS

weight	36,5 kg
outer dimensions	W 650 mm, L 700 mm, H 400 mm
cable size Ø	10 mm
cable length	25 meters
max. rpm	3000 / min
output	1300 W
operating voltages	230 V / 110 V
material	aluminium
use of tool	with safety foot pedal
features	convertible drill option, telescopic handle, easy to move, light machine, rubber feet



RCM-25

weight	97 kg
outer dimensions	W 575 mm, L 740 mm, H 950 mm
cable size Ø	12 mm
cable length	25 meters
max. rpm	2800 / min *
output	1500 W
operating voltages	230 V
material	aluminium, stainless steel
use of tool	with safety foot pedal
features	easy to move, lockable front wheels, narrow model, light machine

* = max. RPM 1500/min
when using 110V operating
voltages.





CLEANING UNIT SPARE PARTS

Product code	Information
RCM-2010	RCM-10 spare cable, Ø 10mm cable, 10m
RCM-2014	RCM-10 spare cable, Ø 10mm cable, 14m
RCM-1015	RCM-15 spare cable, Ø 8mm cable, 15m
RCM-2025	RCM-25 spare cable, Ø 10mm cable, 25m
RCM-3025	RCM-25 spare cable, Ø 12mm cable, 25m
RCM-2036	RCM-36 spare cable, Ø 10mm cable, 36m
RCM-3036	RCM-36 spare cable, Ø 12mm cable, 36m
RCM-2536-ELC-SET	electric cable set for RCM-25, RCM-36
RCM-10-ETU-VAI	RCM-10 front cable, old model
RCM-10-Upgrade-kit	RCM-10 upgrade kit for angle gearbox
RCM-1025-PLUS	RCM-8-PLUS spare cable, Ø 8mm cable, 25m
RCM-2025-PLUS	RCM-10-PLUS spare cable, Ø 10mm cable, 25m



RCM-36

weight	128 kg
outer dimensions	W 690 mm, L 870 mm, H 1190 mm
cable size Ø	12 mm
cable length	36 meters
max. rpm	2800 / min *
output	1500 W
operating voltages	230 V
material	aluminium, stainless steel
use of tool	with safety foot pedal
features	easy to move, lockable front wheels, narrow model, light machine



INVERSION DRUM

A close-up photograph of a person's hands operating a piece of industrial machinery, likely an inversion drum. The person is wearing a blue long-sleeved shirt. One hand is holding a blue-handled pneumatic valve, and the other is holding a black handle. The machinery is metallic and has various fittings and hoses attached. A blue hose is connected to a brass fitting. A red-handled valve is visible on the right side of the machine. The background is dark, and the lighting is focused on the hands and the machinery.

Inversion Drums are used in the pipe relining. Pneumatic features of the inversion drum shoot the liner smoothly into a pipe which is important in achieving a successful result.

DRUMS

INVERSION DRUMS



RID-300

weight	13,5 kg
size	W 450 mm, L 400 mm, H 510 mm
diameter	300 mm
storz size	4", drum heads (DH-4S) sizes: 30,50,70,100
window	can be opened
model	rack
material	aluminium
safety relief valve	1.5 bar 1/2" Base Thread, max. temp. +120°C G1/2" thread reducers, max. temperature +120°C
connectors	RECTUS 25 + 26, CEJN 320, JWL 520+530
max. pressure	1.5 bar
liner capacity	100mm liner = approx. 8 meters
max. temperature	+ 100°C

INVERSION DRUMS



RID-400-S



RID-400



RID-600

weight	21,5 kg	38,5 kg	63,5 kg
size	W 660 mm, L 460 mm, H 540 mm	W 575 mm, L 700 mm, H 900 mm	W 690 mm, L 900 mm, H 1150 mm
diameter	400 mm	400 mm	600 mm
storz size	6", drum heads (DH-6S) sizes: 30,50,70,100,150	6", drum heads (DH-6S) sizes: 30,50,70,100,150	6", drum heads (DH-6S) sizes: 30,50,70,100,150
window	can be opened	can be opened	can be opened
model	on rack	on wheels	on wheels
material	aluminium	aluminium	aluminium
safety relief valve	1.5 bar ½" Base Thread, max. temp. +120°C G½" thread reducers, max. temperature +120°C	1.5 bar ½" Base Thread, max. temp. +120°C G½" thread reducers, max. temperature +120°C	1.5 bar ½" Base Thread, max. temp. +120°C G½" thread reducers, max. temperature +120°C
connectors	RECTUS 25 + 26, CEJN 320, JWL 520+530	RECTUS 25 + 26, CEJN 320, JWL 520+530	RECTUS 25 + 26, CEJN 320, JWL 520+530
additional port	-	-	2" thread in drum head for steam/water
max. pressure	1.5 bar	1.5 bar	1.5 bar
liner capacity	100mm liner = approx. 20 meters	100mm liner = approx. 20 meters	100mm liner = approx. 30 meters
max. temperature	+ 100°C	+ 100°C	+ 100°C



RID-800-S

weight	76,0 kg
size	W 630mm, L 1000 mm, H 1170 mm
diameter	800 mm
storz size	6", drum heads (DH-6S) sizes: 30,50,70,100,150
window	can be opened
model	on rack
material	aluminium
safety relief valve	1.5 bar ½" Base Thread, max. temp. +120°C G½" thread reducers, max. temp. +120°C
connectors	RECTUS 25 + 26, CEJN 320, JWL 520+530
additional port	2" thread in drum head for steam/water
max. pressure	1.5 bar
liner capacity	100mm liner = approx. 55 meters
max. temperature	+ 100°C



RID-800

weight	83,5 kg
size	W 775mm, L 1000 mm, H 1200 mm
diameter	800 mm
storz size	6", drum heads (DH-6S) sizes: 30,50,70,100,150
window	can be opened
model	on wheels
material	aluminium
safety relief valve	1.5 bar ½" Base Thread, max. temp. +120°C G½" thread reducers, max. temp. +120°C
connectors	RECTUS 25 + 26, CEJN 320, JWL 520+530
additional port	2" thread in drum head for steam/water
max. pressure	1.5 bar
liner capacity	100mm liner = approx. 70 meters
max. temperature	+ 100°C

DRUM HEADS

Drum Head is an accessory for the inversion drum. It ables a versatile use of drums in relining. Custom drum heads can be manufactured to customer's needs with a minimum order of 15pcs.

INVERSION DRUM ACCESSORY

DRUM HEADS

with 4" thread attachment

Product code	Information
DH-4S-30	for Ø 30mm liner *
DH-4S-50	for Ø 50mm liner
DH-4S-70	for Ø 70mm liner
DH-4S-100	for Ø 100mm liner

DRUM HEADS

Storz adapters

Product code	Information
DH-4S	4" Storz adapter / thread
DH-6S	6" Storz adapter / thread

DRUM HEADS

with 6" thread attachment

Product code	Information
DH-6S-30	for Ø 30mm liner *
DH-6S-50	for Ø 50mm liner
DH-6S-70	for Ø 70mm liner
DH-6S-100	for Ø 100mm liner
DH-6S-150	for Ø 150mm liner

DRUM HEADS

Accessories

Product code	Information
DH-KEY	Storz key
DH-6S-GSK	Storz gaskets

DRUM HEADS

with 6" thread attachment and cam lock

Product code	Information
DH-6S-CL-70	for Ø 70mm liner
DH-6S-CL-100	for Ø 100mm liner
DH-6S-CL-150	for Ø 150mm liner

* This product is not available in our stock. We will start production after receiving the order.







ROLLER

Epoxy spreads smoothly in the liner with Renssi® Roller. Smoothly spread epoxy on the surfaces of the liner enables successful relining, which repairs pipe's surface damages and protects the pipe from being damaged for a long time.

RP-325

weight	17,5 kg
outer dimensions	W 600mm, L 370mm, H 440mm
roller diameter	115mm
roller width	325mm
material	aluminium, rubber
locking mechanism	manual lever and finger nuts for backup to prevent unexpected opening
measuring	with gauge plates provided with the press
maximum liner size	200mm





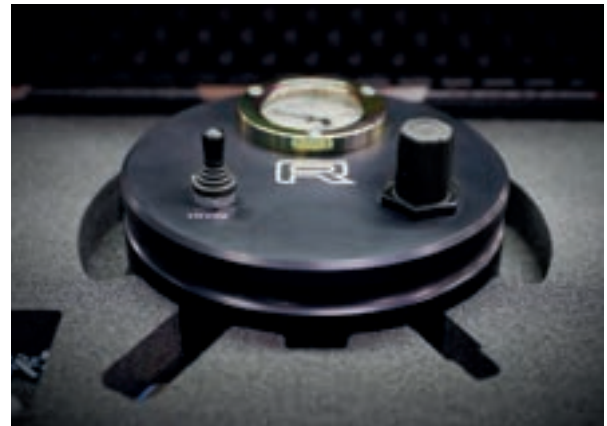
VACUUM PUMP

The Renssi Vacuum Controller converts your compressed air into a vacuum with just a single switch. The integrated pressure regulator allows you to control the air pressure while inflating your silicone bladders without using multiple accessories - all you need is the compressor.

VACUUM PUMP

Product code

R-VAC-1



STEAM GENERATORS

Steam generators are the optimal equipment to install connection liners, reline the drains and cure the base liners. All the models use electricity and are capable to heat up to 9 liters of water for high-performance steam.



STEAM-G-96-9,6kW

STEAM GENERATORS

Product code	Information
STEAM-G-16-1,6KW	1,6kw steam unit for connection liners
STEAM-G-32-3,2KW	3,2kw steam unit for short liners and connection liners
STEAM-G-96-9,6KW	9,6kw steam unit for longer and larger liners

	STEAM-G-16-1,6kW	STEAM-G-32-3,2kW	STEAM-G-96-9,6kW
weight	13,5 kg	15kg	43kg
size	width 420 mm	width 540mm	width 430mm
	length 250 mm	length 340mm	length 360mm
	height 290 mm	height 260mm	height 970mm
operating voltages	230V	230V	400 3+N
heater output	1,6 kW	3,2kW (1,6 + 1,6) kW	9,6kW
water capacity	4 L	9L	7L or continuous water distribution
steam output	2,5kg/h	5kg/h	15kg/h
max. pressure	3 bar	3 bar	6 bar
pump power	-	-	0,5kW



STEAM-G-32-3, 2kW



STEAM-G-16-1, 6kW



CABLES

TS-(10)-2001

tool's identification

cable ends' code

cable size Ø

cable length (m)

TOOL'S IDENTIFICATION

Every tool has its own code which is used when ordering. Cables are found under codes TC, TS, ERC, RC and RCC.

TC is a ready-to-use cable with a ball bearing and female/male t-slide ends.

TS is a ready to use cable with a ball bearing and a sleeve head.

ERC is a ready-to-use cable with brass coverpipe sleeves and a rotator shaft.

CABLE ENDS' CODE

11 = TS cable with both ends crimped

10 = TS cable with tool end crimped

01 = TS cable with rotator end crimped

CABLE SIZE Ø

1 / 008 = 8mm 08 = 8mm

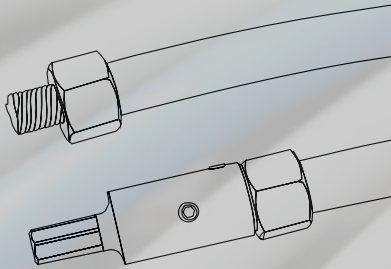
2 / 010 = 10mm 10 = 10mm

3 / 012 = 12mm 12 = 12mm

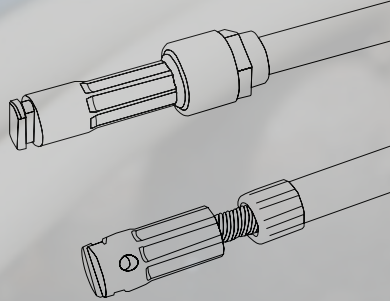
CABLE LENGTH (m)

Cable's length is determined after its size value.

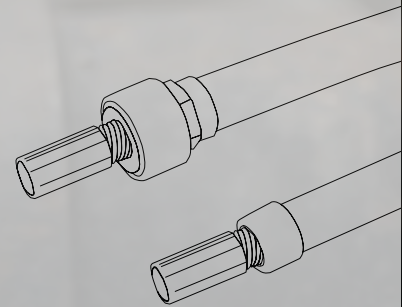
001 = 1 m



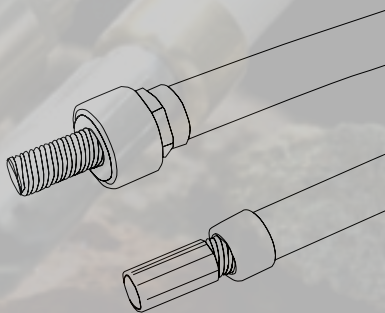
ERC-2005



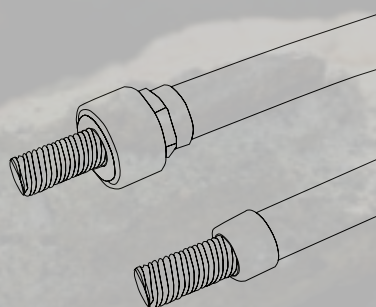
TC-2001



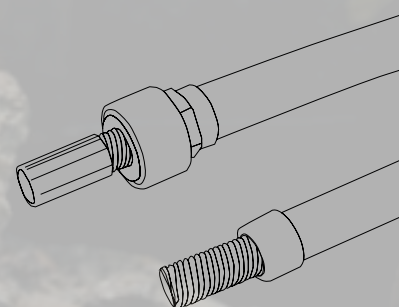
TS-11-2001



TS-01-2001



TS-2001



TS-10-2001

Renssi® offers two types of cables; Cross Layer and Spring Layer cable. You have an option to choose Renssi® ready-to-use TC- and TS-cables, which includes a cover, cable and T-slide adapters and/or sleeves, or

you can also order cables and covers separately. You can also choose easy-to-use cable ERC, which contains sleeves, rotator shaft and covered cable. All you need to know is the length and

diameter of the cable and you are ready to choose the cable of your needs. For customer's request we can mix'n'match different T-slides and sleeves.

READY-TO-USE CABLES

ERC CABLES

We sell ready-to-use cables, cables and covers separately for customer's needs.

ERC-cable includes a cover, a cable, brass sleeves on both ends and a rotator shaft. We use Cross Layer Cable in ERC-cables.



ERC 0000 SERIES
6mm cable / adapters 16mm



ERC 1000 SERIES
8mm cable / adapters 16mm



ERC 2000 SERIES
10mm cable / adapters 20mm



ERC 3000 SERIES
12mm cable / adapters 20mm

Product code	Product size
ERC-0008-1	Ø 6mm cable, 8m
ERC-0010-1	Ø 6mm cable, 10m
ERC-0015-1	Ø 6mm cable, 15m

Product code	Product size
ERC-1002-1	Ø 8mm cable, 2m
ERC-1003-1	Ø 8mm cable, 3m
ERC-1005-1	Ø 8mm cable, 5m
ERC-1010-1	Ø 8mm cable, 10m
ERC-1015-1	Ø 8mm cable, 15m
ERC-1020-1	Ø 8mm cable, 20m

Product code	Product size
ERC-2003-1	Ø 10mm cable, 3m
ERC-2005-1	Ø 10mm cable, 5m
ERC-2010-1	Ø 10mm cable, 10m
ERC-2015-1	Ø 10mm cable, 15m
ERC-2020-1	Ø 10mm cable, 20m
ERC-2025-1	Ø 10mm cable, 25m
ERC-2030-1	Ø 10mm cable, 30m

Product code	Product size
ERC-3003-1	Ø 12mm cable, 3m
ERC-3005-1	Ø 12mm cable, 5m
ERC-3010-1	Ø 12mm cable, 10m
ERC-3015-1	Ø 12mm cable, 15m
ERC-3020-1	Ø 12mm cable, 20m
ERC-3025-1	Ø 12mm cable, 25m
ERC-3030-1	Ø 12mm cable, 30m

TC CABLES

TC-cables includes a cover, a cable, a ballbearing and T-slide adapters.
We use Cross Layer Cable in TC Cables.



TC 1000 SERIES

8mm cable / adapters 16mm



TC 2000 SERIES

10mm cable / adapters 16mm



TC 3000 SERIES

12mm cable / adapters 20mm

Product code	Length (m)	Product code	Length (m)	Product code	Length (m)
TC-1001	1 m	TC-2001	1 m	TC-3001	1 m
TC-1002	2 m	TC-2002	2 m	TC-3002	2 m
TC-1003	3 m	TC-2003	3 m	TC-3003	3 m
TC-1005	5 m	TC-2005	5 m	TC-3005	5 m
TC-1006	6 m	TC-2006	6 m	TC-3006	6 m
TC-1008	8 m	TC-2008	8 m	TC-3008	8 m
TC-1010	10 m	TC-2010	10 m	TC-3010	10 m
TC-1015	15 m	TC-2015	15 m	TC-3015	15 m
TC-1020	20 m	TC-2020	20 m	TC-3020	20 m



READY-TO-USE CABLES

TS CABLES

TS-cables include a cover, a cable, a ball bearing and a steel sleeve. We use Cross Layer Cable in TS Cables. You can choose, if you'll want the ends crimped or not. Without defining code, we prepare TS Cable without crimped ends.

TS-cable includes a cable without steel sleeves or adapters, and nylon cover

TS 1000 SERIES

8mm cable

TS 2000 SERIES

10mm cable

TS 3000 SERIES

12mm cable

Product code	Length (m)	Product code	Length (m)	Product code	Length (m)
TS-1001	1 m	TS-2001	1 m	TS-3001	1 m
TS-1002	2 m	TS-2002	2 m	TS-3002	2 m
TS-1003	3 m	TS-2003	3 m	TS-3003	3 m
TS-1005	5 m	TS-2005	5 m	TS-3005	5 m
TS-1006	6 m	TS-2006	6 m	TS-3006	6 m
TS-1008	8 m	TS-2008	8 m	TS-3008	8 m
TS-1010	10 m	TS-2010	10 m	TS-3010	10 m
TS-1015	15 m	TS-2013	13 m	TS-3015	15 m
TS-1020	20 m	TS-2015	15 m	TS-3017	17 m
TS-1023	23 m	TS-2020	20 m	TS-3020	20 m
TS-1030	30 m	TS-2023	23 m	TS-3025	25 m
TS-1035	35 m	TS-2025	25 m	TS-3030	30 m
TS-1040	40 m	TS-2030	30 m	TS-3037	37 m
		TS-2037	35 m	TS-3049	49 m
		TS-2040	40 m		

**TS-01-cable incl. cable with rotator end crimped,
and nylon cover**



TS-01 0000 SERIES
6mm cable



TS-01 1000 SERIES
8mm cable



TS-01 2000 SERIES
10mm cable



TS-01 3000 SERIES
12mm cable

Product code	Length (m)
TS-01-0003	3 m
TS-01-0006	6 m
TS-01-0015	15 m
TS-01-0030	30 m

Product code	Length (m)
TS-01-1001	1 m
TS-01-1002	2 m
TS-01-1003	3 m
TS-01-1005	5 m
TS-01-1006	6 m
TS-01-1008	8 m
TS-01-1010	10 m
TS-01-1015	15 m
TS-01-1020	20 m
TS-01-1023	23 m
TS-01-1030	30 m
TS-01-1035	35 m
TS-01-1040	40 m

Product code	Length (m)
TS-01-2001	1 m
TS-01-2002	2 m
TS-01-2003	3 m
TS-01-2005	5 m
TS-01-2006	6 m
TS-01-2008	8 m
TS-01-2010	10 m
TS-01-2015	15 m
TS-01-2020	20 m
TS-01-2023	23 m
TS-01-2030	30 m
TS-01-2037	37 m
TS-01-2038	38 m
TS-01-2040	40 m

Product code	Length (m)
TS-01-3001	1 m
TS-01-3002	2 m
TS-01-3003	3 m
TS-01-3005	5 m
TS-01-3006	6 m
TS-01-3008	8 m
TS-01-3010	10 m
TS-01-3015	15 m
TS-01-3017	17 m
TS-01-3020	20 m
TS-01-3030	30 m
TS-01-3037	37 m

READY-TO-USE CABLES

TS-10-cable incl. cable with tool end crimped, and nylon cover



TS-10 1000 SERIES
8mm cable



TS-10 2000 SERIES
10mm cable



TS-10 3000 SERIES
12mm cable

Product code	Length (m)	Product code	Length (m)	Product code	Length (m)
TS-10-1001	1 m	TS-10-2001	1 m	TS-10-3001	1 m
TS-10-1002	2 m	TS-10-2002	2 m	TS-10-3002	2 m
TS-10-1003	3 m	TS-10-2003	3 m	TS-10-3003	3 m
TS-10-1005	5 m	TS-10-2005	5 m	TS-10-3005	5 m
TS-10-1006	6 m	TS-10-2006	6 m	TS-10-3006	6 m
TS-10-1008	8 m	TS-10-2008	8 m	TS-10-3008	8 m
TS-10-1010	10 m	TS-10-2010	10 m	TS-10-3010	10 m
TS-10-1015	15 m	TS-10-2015	15 m	TS-10-3015	15 m
TS-10-1020	20 m	TS-10-2020	20 m	TS-10-3017	17 m
TS-10-1023	23 m	TS-10-2023	23 m	TS-10-3020	20 m
TS-10-1030	30 m	TS-10-2030	30 m	TS-10-3030	30 m
TS-10-1035	35 m	TS-10-2037	37 m	TS-10-3037	37 m
TS-10-1040	40 m	TS-10-2038	38 m		
		TS-10-2040	40 m		

**TS-11-cable incl. cable with both ends crimped,
and nylon cover**



TS-11 0000 SERIES
6mm cable



TS-11 1000 SERIES
8mm cable



TS-11 2000 SERIES
10mm cable



TS-11 3000 SERIES
12mm cable

Product code	Length (m)
TS-11-0005	5 m
TS-11-0015	15 m

Product code	Length (m)
TS-11-1001	1 m
TS-11-1002	2 m
TS-11-1003	3 m
TS-11-1005	5 m
TS-11-1006	6 m
TS-11-1008	8 m
TS-11-1010	10 m
TS-11-1015	15 m
TS-11-1020	20 m
TS-11-1023	23 m
TS-11-1030	30 m
TS-11-1035	35 m
TS-11-1040	40 m

Product code	Length (m)
TS-11-2001	1 m
TS-11-2002	2 m
TS-11-2003	3 m
TS-11-2005	5 m
TS-11-2006	6 m
TS-11-2008	8 m
TS-11-2010	10 m
TS-11-2015	15 m
TS-11-2020	20 m
TS-11-2023	23 m
TS-11-2030	30 m
TS-11-2037	37 m
TS-11-2038	38 m
TS-11-2040	40 m

Product code	Length (m)
TS-11-3001	1 m
TS-11-3002	2 m
TS-11-3003	3 m
TS-11-3005	5 m
TS-11-3006	6 m
TS-11-3008	8 m
TS-11-3010	10 m
TS-11-3015	15 m
TS-11-3017	17 m
TS-11-3020	20 m
TS-11-3030	30 m
TS-11-3037	37 m
TS-11-3040	40 m



ROTATING CABLES

Cross Layer Cable

Product code	Diameter Ø
RC-004-1	Ø 4mm
RC-006-1	Ø 6mm
RC-008-1	Ø 8mm
RC-010-1	Ø 10mm
RC-012-1	Ø 12mm



ROTATING CABLES

Spring Layer Cable

Product code	Diameter Ø
RC-008-2	Ø 8mm
RC-010-2	Ø 10mm
RC-012-2	Ø 12mm



ROTATING CABLE ROLLS

Cross Layer Cable

Product code	Diameter Ø
RC-008-1-ROLL250	Ø 8mm, 250 m
RC-008-1-ROLL	Ø 8mm, 400 m
RC-010-1-ROLL	Ø 10mm, 200 m
RC-012-1-ROLL	Ø 12mm, 200 m



CABLE CARRIER

Transportation and handling of cable

Product code	Information
R-CASE-1	cable sold separately
R-CASE-2	incl. Ø 6mm 15m cable
R-CASE-3	incl. Ø 8mm 15m cable
R-CASE-4	incl. Ø 10mm 10m cable



COVERS, NYLON

Product code	Information
RCC-06/08-N	for 4mm cable
RCC-08/10-N	for 6mm cable
RCC-10/13-N	for 8mm cable
RCC-12/15-N	for 10mm cable
RCC -13/16-N	for 12mm cable
RCC-14-18-N	for 12mm cable



COVER ROLLS, NYLON

Product code	Information
RCC-10/13-N-50M	for 8mm cable, 50 m
RCC-12/15-N-50M	for 10mm cable, 50 m
RCC -13/16-N-50M	for 12mm cable, 50 m



COVERS, PEX

Product code	Information
RCC-8	for 8mm cable
RCC-10	for 10mm cable
RCC -12	for 12mm cable



COVER ROLLS, PEX

Product code	Information
RCC-8-ROLL	for 8mm cable, 500 m
RCC-8-ROLL-200	for 8mm cable, 200 m
RCC-10-ROLL	for 10mm cable, 500 m
RCC-12-ROLL	for 12mm cable, 500 m



CABLE COVER BALL BEARINGS

Product code	Product size
CB-D8	8mm cable / 12mm cover
CB-D10	10mm cable / 15mm cover
CB-D12	12mm cable / 16mm cover
CB-D12-XL	12mm cable / 18mm cover



BRASS ENDS, HEXAGON

Brass cover pipe sleeves.

Product code	Product
WA-MS-06	for 6mm cable
WA-MS-08	for 8mm cable
WA-MS-10	for 10mm cable
WA-MS-12	for 12mm cable



TOOLS FOR BEARINGS

Product code	Product size
CBT-20	tool for CB-D8/ D10/-D12
CBT-24	tool for CBP-12



BRASS ENDS, ROUND

Brass cover pipe sleeves.

Product code	Product
RC-MS-D14	for 6mm cable
RC-MS-D16	for 8mm cable
RC-MS-D19	for 10mm cable
RC-MS-D20	for 12mm cable

ADJUSTABLE CLUTCH

The clutch is used as an accessory for a drill when rotating a cable with a chain knocker on it. The clutch prevents the cable from breaking down and also personal injuries, if the tool gets stuck in the pipe while rotating.

ADJUSTABLE CLUTCH

Product code	Information
CLT-001	Clutch for a drill
Includes crimp sleeves for 8mm, 10mm and 12mm cables.	
Includes also CAT-set, CLT-25-014 and CRS-011.	
The drill is sold separately.	

CLUTCH SPAREPARTS

Product code	Information
CLT-25-002-20-S	20mm t-slide adapter, male
CLT-25-002-S	16mm t-slide adapter, male
CLT-25-014	Adapter for 14mm cable
CAT-SET	Adjustment tool kit for clutch
CAT-001	Adjustment tool, hex
CAT-44	Adjustment tool, spanner wrench
CRS-011	Rotator shaft for clutch
RAK-SET	Hex key wrench set



CAT-001 is improved for easier adjusting of the clutch.



ADAPTERS A



In this category you can find adapters to connect Renssi® Tools with your gear. There are also available many kinds of other accessories which you can use with your tools. With the definition code, you can easily define what kind of and which size adapter you need.

ADAPTERS AND SLEEVES

RA-16-001-008-IX

tool's identification

connector series size Ø

adapter from

adapter to

information of tool

TOOL'S IDENTIFICATION

Every tool has its own code which is used when ordering. Adapters and accessories are found under code RA.

CONNECTOR SERIES SIZE Ø

Defines the diameter of the adapter.

INFORMATION OF TOOL

IX means that the adapter is fully made of stainless steel.

Adapter from / to

001	T-slide female
002	T-slide male
006	6mm hole
008	8mm hole
010	10mm hole
011	Rotator shaft
012	12mm hole
014	TS Sleeve
080	Brush adapter

CABLE CONNECTORS



CABLE CONNECTORS, EXTENSION

Product code	Information
CC-006	for 6mm cable
CC-008	for 8 mm cable
CC-010	for 10 mm cable
CC-012	for 12mm cable



CABLE CONNECTORS, CONVERSION

Product code	Information
CC-008-010	8mm cable to 10mm cable connection
CC-008-012	8mm cable to 12mm cable connection
CC-010-012	10mm cable to 12mm cable connection
CC-014-010	for 10mm cable to connect centering device
CC-014-012	for 12mm cable to connect centering device



CABLE CONNECTORS FOR CRIMPED SLEEVE

Product code	Information
CC-050	for 50mm centering device /Ø 14mm
CC-100	for 75mm-100mm-150mm centering device/Ø 14mm



CRIMP SLEEVES

Product code	Product
SLEEVE-008	10 pcs for 8mm cable
SLEEVE-010	10 pcs for 10mm cable
SLEEVE-012	10 pcs for 12mm cable
SLEEVE-008-016	10 pcs for 8mm cable
SLEEVE-010-016	10 pcs for 10mm cable
SLEEVE-012-016	10 pcs for 12mm cable



CONNECTORS



CONNECTORS 16mm FEMALE

Product code	Product
RA-16-001-008	T-slide, female, 8mm cable
RA-16-001-010	T-slide, female, 10mm cable
RA-16-001-012	T-slide, female, 12mm cable
RA-16-001-060-M4-IX	T-slide, female, shackle with M4 thread
RA-16-001-060-M5-IX	T-slide, female, shackle with M5 thread
RA-16-001-CC	T-slide, female with connection to CC-connector
RA-16-001-P10-IX	T-slide, female for 10mm POM shaft, stainless steel



CONNECTORS 16mm MALE

Product code	Product
RA-16-002-008	T-slide, male, 8mm cable
RA-16-002-010	T-slide, male, 10mm cable
RA-16-002-012	T-slide, male, 12mm cable
RA-16-002-P10-IX	T-slide, male for 10mm POM shaft, stainless steel
RA-16-002-RBH-010	T-slide, male for 10mm cable with set screws

CONNECTORS 20mm FEMALE

Product code	Product
RA-20-001-008	T-slide, female, 8mm cable
RA-20-001-010	T-slide, female, 10mm cable
RA-20-001-012	T-slide, female, 12mm cable
RA-20-001-060-M5-IX	T-slide, female, shackle with M5 thread
RA-20-001-060-M6-IX	T-slide, female, shackle with M6 thread
RA-20-001-13.2	T-slide, female, for 1/2" cable
RA-20-001-P16-IX	T-slide, female, for 16mm POM shaft, stainless steel

CONNECTORS 20mm MALE

Product code	Product
RA-20-002-010	T-slide, male, 10mm cable
RA-20-002-012	T-slide, male, 12mm cable
RA-20-002-13.2	T-slide, male, for 1/2" cable
RA-20-002-P16-IX	T-slide, male, for 16mm POM shaft, stainless steel



T-SLIDE DRILL ADAPTERS

Product code	Product
RA-16-001-011	T-slide, female, rotator shaft
RA-16-002-011	T-slide, male, rotator shaft
RA-20-002-011	T-slide, male rotator shaft
RA-16-006-011	6mm cable, rotator shaft
RA-16-008-011	8mm cable, rotator shaft
RA-20-010-011	10mm cable, rotator shaft
RA-20-012-011	12mm cable, rotator shaft, male
RA-20-014-011	rotator shaft for TS Cable



T-SLIDE ADAPTERS

Product code	Product
RA-16-001/20-002	Adapter from 16mm female to 20mm male
RA-16-002/20-001	Adapter from 16mm male to 20mm female



WHIPS

Product code	Information
RA-08-WHIP	with 8mm cable
RA-10-WHIP	with 10mm cable
RA-12-WHIP	with 12mm cable
WS-I-Adapter-10	Adapter for 1/2 UNC thread with 10mm cable
WS-I-Adapter-12	Adapter for 1/2 UNC thread with 12mm cable

MISCELLANEOUS ACCESSORIES

Product code	Product
RA-16-008-021	for 8mm cable and UNF 1/2 male thread
RA-20-070-P08	for 8mm POM shaft with G 3/4 male thread
RA-20-070-P10	for 10mm POM shaft with G 3/4 male thread
RA-20-070-P12	for 12mm POM shaft with G 3/4 male thread
RA-20-070-P16	for 16mm POM shaft with G 3/4 male thread
RA-24-033-011	rotator shaft for drill with M14 male thread

BRUSHES



Brushes have quite many different ways of use. Brushes are good for example to clean plastic pipes, where the use of the chain knocker is too heavy. Brushes are also suitable for spreading the paste in the spray lining method and also to center different kinds of tools in the pipe. High-quality strings are made of nylon. We have also NYLON/STEEL brushes and silicon carbide brushes which are especially designed for cleaning plastic pipes.

DO YOU NEED A CUSTOM SIZED BRUSH?

We can also make a custom brush regarding to customer's needs.

Minimum order is 10 brushes.

RH-1050-40-07(-NS)

tool's indentification cable size Ø brush diameter Ø length of the hub information of the tool nylon/steel

TOOL'S IDENTIFICATION Every tool has its own code which is used when ordering. Brushes are found under code RH.

CABLE SIZE Ø 0 = 6mm 1 = 8mm 2 = 10mm 3 = 12mm

BRUSH'S DIAMETER Ø Tools are designed to match the pipe size. Right size brush cleans the pipe gently without harming the surfaces of the plastic pipe.

LENGTH OF THE HUB Defines the length of the hub in millimeters.

INFORMATION OF THE TOOL This defines the thickness of the nylon string. 07 stands for 0,7 mm string etc. You can choose from 0,3 - 0,5- 0,7 (mm).

NS stands for **NYLON/STEEL** brush which is designed for a bit heavier cleaning and also for grinding the surface of the plastic pipe before spray lining. NS brushes are only available with one size strings.

C stands for **SILICON CARBIDE** brush, which is designed for heavier cleaning of plastic pipes.

BRUSHES



NYLON BRUSHES
for 6 mm cable



NYLON BRUSHES
for 8 mm cable



NYLON/STEEL BRUSHES
Center hole of the hub of 8 mm

Product code	Diameter Ø	Hub length
RH-0040-14-03	Ø 40 mm	14 mm
RH-0050-14-03	Ø 50 mm	14 mm
RH-0050-20-03	Ø 50 mm	20 mm
RH-0075-14-03	Ø 75 mm	14 mm
RH-0075-20-03	Ø 75 mm	20 mm
RH-0100-14-03	Ø 100 mm	14 mm
RH-0100-14-05	Ø 100 mm	14 mm
RH-0125-14-03	Ø 125 mm	14 mm
RH-0125-14-05	Ø 125 mm	14 mm
RH-0125-20-05	Ø 125 mm	20 mm
RH-0125-20-07	Ø 125 mm	20 mm

Product code	Diameter Ø	Hub length
RH-1040-14-03	Ø 40 mm	14 mm
RH-1045-14-03	Ø 45 mm	14 mm
RH-1050-14-03	Ø 50 mm	14 mm
RH-1050-20-03	Ø 50 mm	20 mm
RH-1075-20-05	Ø 75 mm	20 mm
RH-1075-20-07	Ø 75 mm	20 mm
RH-1100-20-05	Ø 100 mm	20 mm
RH-1125-29-05	Ø 125 mm	29 mm
RH-1125-29-07	Ø 125 mm	29 mm
RH-1150-29-05	Ø 150 mm	29 mm
RH-1150-29-07	Ø 150 mm	29 mm
RH-1160-40-07	Ø 160 mm	40 mm
RH-1175-29-05	Ø 175 mm	29 mm
RH-1175-40-07	Ø 175 mm	40 mm
RH-1200-40-07	Ø 200 mm	40 mm

Product code	Diameter Ø	Hub length
RH-1055-20-NS	Ø 55 mm	20 mm
RH-1075-24-NS	Ø 75 mm	24 mm
RH-1105-24-NS	Ø 105 mm	24 mm
RH-1130-24-NS	Ø 130 mm	24 mm
RH-1155-29-NS	Ø 155 mm	29 mm
RH-1175-29-NS	Ø 175 mm	29 mm
RH-1205-29-NS	Ø 205 mm	29 mm



SILICON CARBIDE BRUSHES
for 8mm cable



SILICON CARBIDE BRUSHES
for 10 mm cable



SILICON CARBIDE BRUSHES
for 12 mm cable

Product code	Diameter Ø	Cable size Ø
RH-1050-C	Ø 50 mm	8 mm
RH-1075-C	Ø 75 mm	8 mm
RH-1110-C	Ø 110 mm	8 mm
RH-1125-C	Ø 125 mm	8 mm
RH-1170-C	Ø 170 mm	8 mm

Product code	Diameter Ø	Cable size Ø
RH-2075-C	Ø 75 mm	10 mm
RH-2110-C	Ø 110 mm	10 mm
RH-2125-C	Ø 125 mm	10 mm
RH-2170-C	Ø 170 mm	10 mm

Product code	Diameter Ø	Cable size Ø
RH-3075-C	Ø 75 mm	12 mm
RH-3110-C	Ø 110 mm	12 mm
RH-3125-C	Ø 125 mm	12 mm
RH-3170-C	Ø 170 mm	12 mm

SECURING RING FOR BRUSHES

The securing ring is used to prevent a drop of the brush from the cable during the cleaning.



Product code	Product
SR-20-006	for 6mm cable
SR-20-008	for 8mm cable
SR-20-010	for 10mm cable
SR-20-012	for 12mm cable

BRUSH ADAPTERS



Product code	Product
RA-080-010-IX	for 10mm cable, Ø 8mm shaft inox
RA-080-012-IX	for 12mm cable, Ø 8mm shaft inox

CUTTERS



Cutters belong to Renssi® Tool Collection. The tools are designed to solve specific problems in the field. Tools can be used either with or without centering device. You can open laterals, remove collapsed or damaged liner with cutter tools etc. There are cutters for branch connections, overshot pipe cutters and collapsed line drills in our collection. Check out and find the tool needed to solve the problems in pipe cleaning and relining process.

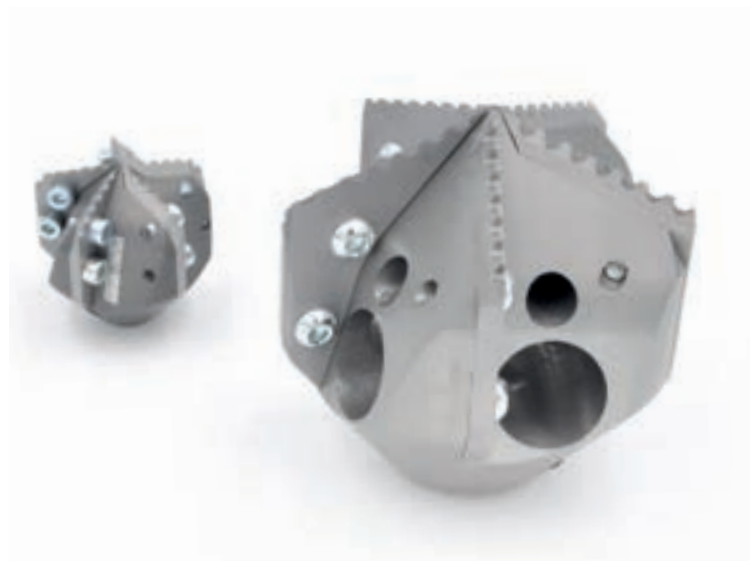


CUTTERS AND SPARE PARTS



**HOLE SAWS
WITH T-SLIDE CONNECTOR**

Product code	Information
HS-T16-030	30mm hole saw with 16mm t-slide connector
HS-T16-040	40mm hole saw with 16mm t-slide connector
HS-T16-050	50mm hole saw with 16mm t-slide connector
HS-T16-060	60mm hole saw with 16mm t-slide connector
HS-T16-070	70mm hole saw with 16mm t-slide connector



COLLAPSED LINE DRILL

Product code	Information
RCD-050	Ø 50mm, 5 inserts
RCD-I-050	50mm - 5 inserts and screws
RCD-075	Ø 75mm, 5 inserts
RCD-I-075	75mm - 5 inserts and screws
RCD-100	Ø 100mm, 5 inserts
RCD-I-100	100mm - 5 inserts and screws
RCD-125	Ø 125 mm, 5 inserts
RCD-I-125	125mm - 5 inserts and screws





SELF-CENTERING REINSTATEMENT CUTTER KITS

Product code	Pipe size Ø
RLC-050-C	for 50mm pipe
RLC-075-C	for 75mm pipe
RLC-100-C	for 100mm pipe
RLC-150-C	for 150mm pipe

SPARE PARTS FOR REINSTATEMENT CUTTER KITS

Product code	Information
RLC-050-C-BA	centering device for RLC-050
RLC-075-C-BA	centering device for RLC-075
RLC-100-C-BA	centering device for RLC-100
RLC-150-C-BA	centering device for RLC-150
RLC-075-C-A	centering brush for RLC-075
RLC-100-C-A	centering brush for RLC-100
RLC-150-C-A	centering brush for RLC-150



SUPPRESSION SLEEVES FOR REINSTATEMENT CUTTERS

Product code	Cable Ø	Pipe size Ø
RLC-050-008	for 8mm cable	for 50mm pipe
RLC-050-010	for 10mm cable	for 50mm pipe
RLC-050-012	for 12mm cable	for 50mm pipe
RLC-075-008	for 8mm cable	for 75mm pipe
RLC-075-010	for 10mm cable	for 75mm pipe
RLC-075-012	for 12mm cable	for 75mm pipe
RLC-100-010	for 10mm cable	for 100mm pipe
RLS-100-012	for 12mm cable	for 100mm pipe
RLC-150-010	for 10mm cable	for 150mm pipe
RLC-150-012	for 12mm cable	for 150mm pipe

REINSTATEMENT CUTTERS

Product code	Diameter Ø	Pipe size Ø
RLC-050	50mm	for 50mm pipe
RLC-075	75mm	for 75mm pipe
RLC-100	100mm	for 100mm pipe
RLC-150	150mm	for 150mm pipe





OVERSHOT PIPE CUTTER

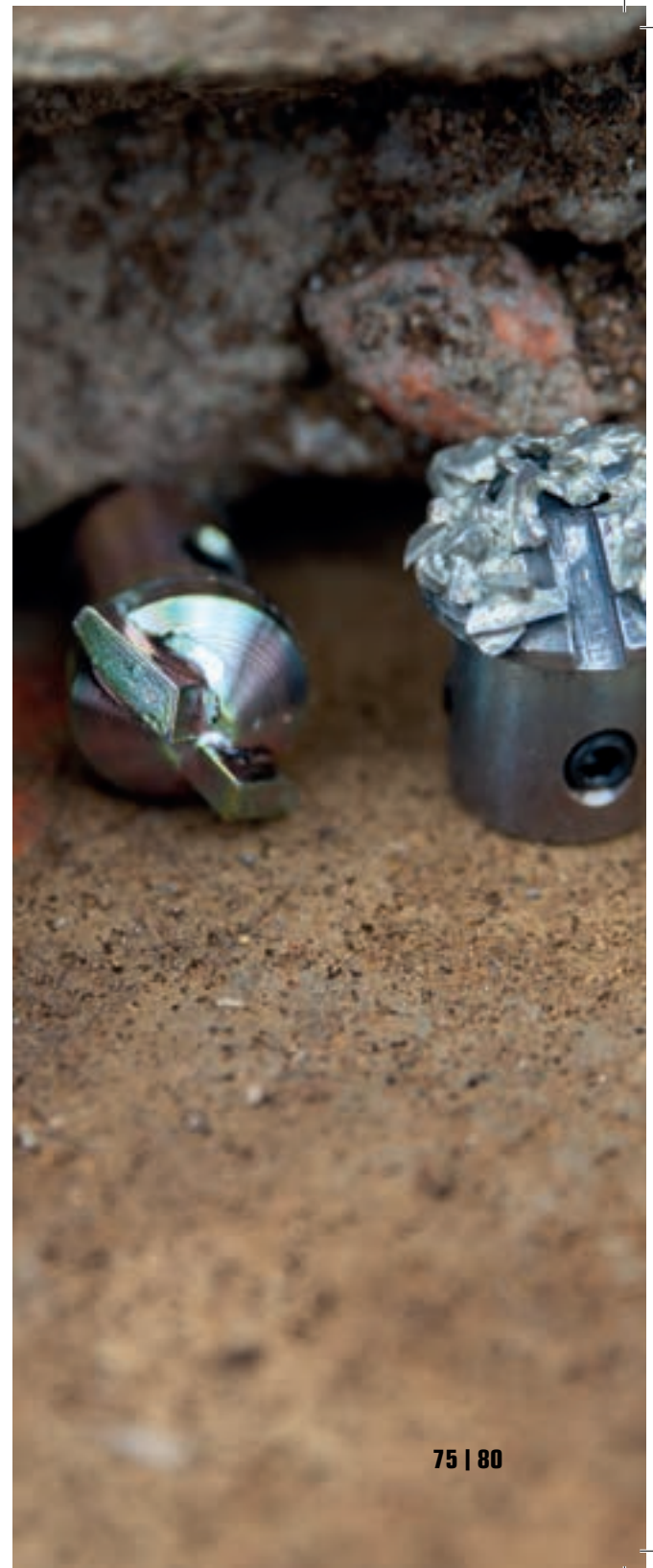
Product code Product

ROC-100	for Ø 100mm pipe
ROC-I-100	spareparts for ROC-100
ROC-150	for Ø 150mm pipe, includes centering devices
ROC-I-150	spareparts for ROC-150

DRILL HEADS FOR CABLES

Product code Cable size Ø

RD-006	for 6mm cable
RD-008	for 8mm cable
RD-010	for 10mm cable
RD-012	for 12mm cable
WD-08	for 8mm cable
WD-10	for 10mm cable
WD-12	for 12mm cable
WD40-10	for 10mm cable
WD40-12	for 12mm cable



SANDPAPER HOLDERS



RSP is a sandpaper grinder, with four sandpapers attached to it's body. After cutting a lateral, you can finish the job with it. Use this with different size sandpapers, to match the pipe you are working with.



SANDPAPER HOLDERS WITH WEDGE



SANDPAPER HOLDERS WITH WEDGE

Product code	Product size Ø
RSP-25-1	25mm wide, 4 papers, Ø 8mm cable
RSP-25-2	50mm wide, 4 papers, Ø 8mm cable
RSP-25-3	75mm wide, 4 papers, Ø 8mm cable
RSP-25-1-10	25mm wide, 4 papers, Ø 10mm cable
RSP-25-2-10	50mm wide, 4 papers, Ø 10mm cable
RSP-25-3-10	75mm wide, 4 papers, Ø 10mm cable
RSP-44-2-10	50mm wide, 4 papers, Ø 10mm cable
RSP-44-3-10	75mm wide, 4 papers, Ø 10mm cable
RSP-44-4-10	100mm wide, 4 papers, Ø 10mm cable
RSP-44-6-10	150mm wide, 4 papers, Ø 10mm cable
RSP-44-2-12	50mm wide, 4 papers, Ø 12mm cable
RSP-44-3-12	75mm wide, 4 papers, Ø 12mm cable
RSP-44-4-12	100mm wide, 4 papers, Ø 12mm cable
RSP-44-6-12	150mm wide, 4 papers, Ø 12mm cable

SANDPAPERS WITH WEDGE

Sandpapers are sold in packages of 40 pcs.

Product code	Product size
SPB-B-25-1-2	width 25mm x length 50mm
SPB-B-25-1-3	width 25mm x length 75mm
SPB-B-25-2-2	width 50mm x length 50mm
SPB-B-25-2-3	width 50mm x length 75mm
SPB-B-25-2-4	width 50mm x length 100mm
SPB-B-25-3-3	width 75mm x length 75mm
SPB-B-25-3-4	width 75mm x length 100mm

SPB-B

•Heavy grinding • Zirconia alumina abrasive grain • P24 grit

Product code	Product size
SPB-B-44-2-4	width 50mm x length 100mm
SPB-B-44-2-6	width 50mm x length 150mm
SPB-B-44-3-4	width 75mm x length 100mm
SPB-B-44-3-6	width 75mm x length 150mm
SPB-B-44-4-4	width 100mm x length 100mm
SPB-B-44-4-6	width 100mm x length 150mm
SPB-B-44-6-6	width 150mm x length 150mm
SPB-B-44-6-8	width 150mm x length 200mm



SANDPAPERS WITH WEDGE

Sandpapers are sold in packages of 40 pcs.

Product code	Product size
SPB-R-25-1-2	width 25mm x length 50mm
SPB-R-25-1-3	width 25mm x length 75mm
SPB-R-25-2-2	width 50mm x length 50mm
SPB-R-25-2-3	width 50mm x length 75mm
SPB-R-25-2-4	width 50mm x length 100mm
SPB-R-25-3-3	width 75mm x length 75mm
SPB-R-25-3-4	width 75mm x length 100mm

SPB-R

•Heavy grinding • Ceramic abrasive grain • P24 grit

Product code	Product size
SPB-R-44-2-4	width 50mm x length 100mm
SPB-R-44-2-6	width 50mm x length 150mm
SPB-R-44-3-4	width 75mm x length 100mm
SPB-R-44-3-6	width 75mm x length 150mm
SPB-R-44-4-4	width 100mm x length 100mm
SPB-R-44-4-6	width 100mm x length 150mm
SPB-R-44-6-6	width 150mm x length 150mm
SPB-R-44-6-8	width 150mm x length 200mm



SANDPAPERS WITH WEDGE

Sandpapers are sold in packages of 40 pcs.

Product code	Product size
SPB-F-25-2-2	width 50mm x length 50mm
SPB-F-25-2-3	width 50mm x length 75mm
SPB-F-25-2-4	width 50mm x length 100mm
SPB-F-25-3-3	width 75mm x length 75mm
SPB-F-25-3-4	width 75mm x length 100mm

SPB-F

•Finishing • Grinding net • P40 grit

Product code	Product size
SPB-F-44-2-4	width 50mm x length 100mm
SPB-F-44-2-6	width 50mm x length 150mm
SPB-F-44-3-4	width 75mm x length 100mm
SPB-F-44-3-6	width 75mm x length 150mm
SPB-F-44-4-4	width 100mm x length 100mm
SPB-F-44-4-6	width 100mm x length 150mm



SPARE PARTS FOR SANDPAPER HOLDERS WITH WEDGE

Product code	Information
RSP-25-CAP	end cap for sandpaper holder
RSP-44-12-CAP	end cap for sandpaper holder

SANDPAPER ROLLS

Product code	Information
SPB-2-50M	sandpaper, 50m roll
SPB-4-50M	sandpaper, 50m roll
SPB-6-50M	sandpaper, 50m roll



SANDPAPER HOLDERS WITHOUT WEDGE



SANDPAPER HOLDERS WITHOUT WEDGE

Product code	Product size Ø
RSP-20-55-8	55mm wide, 4 papers, for 8mm cable
RSP-20-55	55mm wide, 4 papers, for 10mm cable

SANDPAPERS BLADES WITHOUT WEDGE

Sandpapers are sold in packages of 40 pcs.

Product code	Product size
SPB-2-3	width 50mm x length 75mm
SPB-2-4	width 50mm x length 100mm
SPB-2-6	width 50mm x length 150mm
SPB-4-4	width 100mm x length 100mm
SPB-4-6	width 100mm x length 150mm
SPB-4-8	width 100mm x length 200mm
SPB-6-8	width 150mm x length 200mm
SPB-4-6-RED	width 100mm x length 150mm, red
SPB-4-8-RED	width 100mm x length 200mm, red
SPB-6-8-RED	width 150mm x length 200mm, red

RENSSI®

DRAIN CLEANING EQUIPMENT



**DO YOU HAVE SOMETHING
YOU WOULD LIKE TO ASK FROM US?**

Come to visit us
Jousitie 6, 20760 Kaarina FINLAND

Send us an e-mail
info@renssi.fi

Visit our Renssi® webpage
www.renssi.com/en/

 **RUD®** WE ARE USING QUALITY
CHAIN MADE BY RUD®

**CHECK OUT RENSSI® SAFETY MANUALS
BEFORE USING THE TOOLS**
<http://www.renssi.com/en/downloads/>

All rights reserved.
Published on January 2023.